



*Shown with redundant fans

Three Phase Controlled Rectifier

Features:

- ◆ High Power Thyristor Pucks.
- ◆ High Efficiency Heatsinks
- ◆ Forced Air Cooling, optional redundant cooling available
- ◆ RC Snubbers
- ◆ Thermostats, one per phase
- ◆ Fully Integratable
- ◆ Optional Fusing
- ◆ Optional CT's
- ◆ Optional Firing board

Typical Applications

- ◆ DC Drives / Motor controls
- ◆ Field Excitation
- ◆ Regulated Power Supplies

NOTE

The information in this document is typical for the standard assembly. Contact the factory for information on additional details and options that are available upon request.

Electrical Characteristics					
Symbol	Details	min	typ	max	Unit
I _{dc}	DC Continuous current (T ambient 40C)	1000	1400	1600	A
V _{ac}	AC Voltage (+/-10%)	208	480	1500	Vac
V _{dc}	DC Bus Voltage	250	670	2000	Vdc
OL	Overload Conditions (% Continuous Current)*	110	150	200	%OL

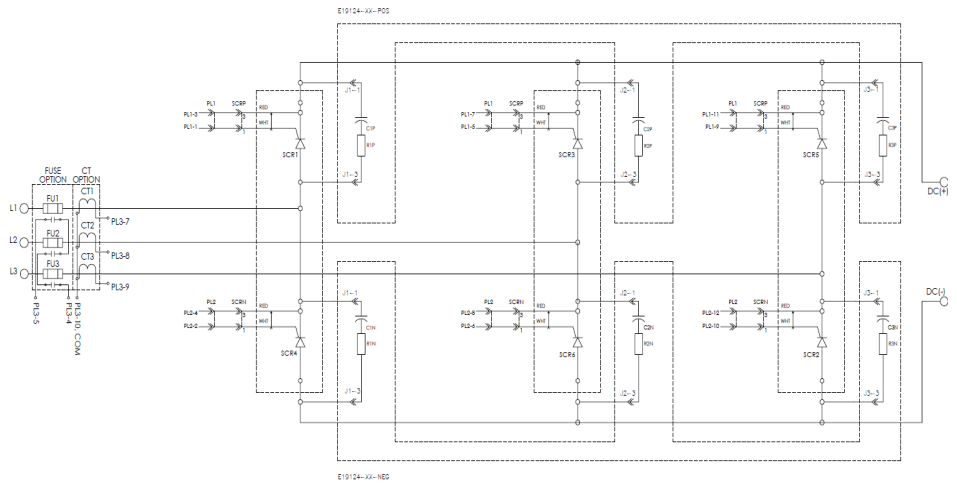
Mechanical Characteristics					
Symbol	Details	min	typ	max	Unit
Drawing	Darrah Drawing DRW-EPB-A8-GA-0				Dwg
Weight	Approx. total weight			230	Lbs
Altitude	Operation without de-rating above sea level			1000	Ft

Fan Data					
Symbol	Details	min	typ	max	Unit
V _{fan}	Fan Voltage	24*	115ac	230ac	V
F _{fan}	Fan Frequency		50/60		Hz
I _{fan}	Fan Current	2.3*	0.7	0.35	A
P _{fan}	Fan Power	55	80	80	W

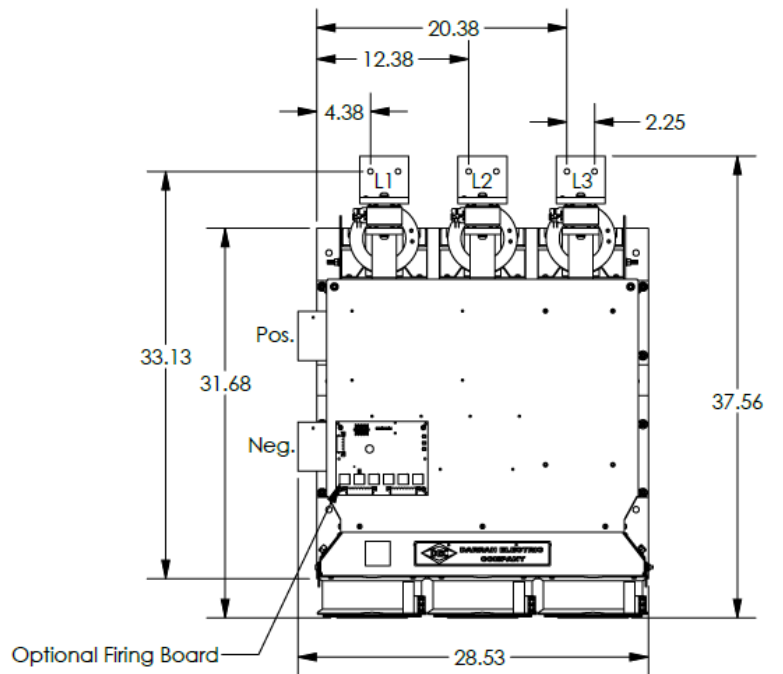
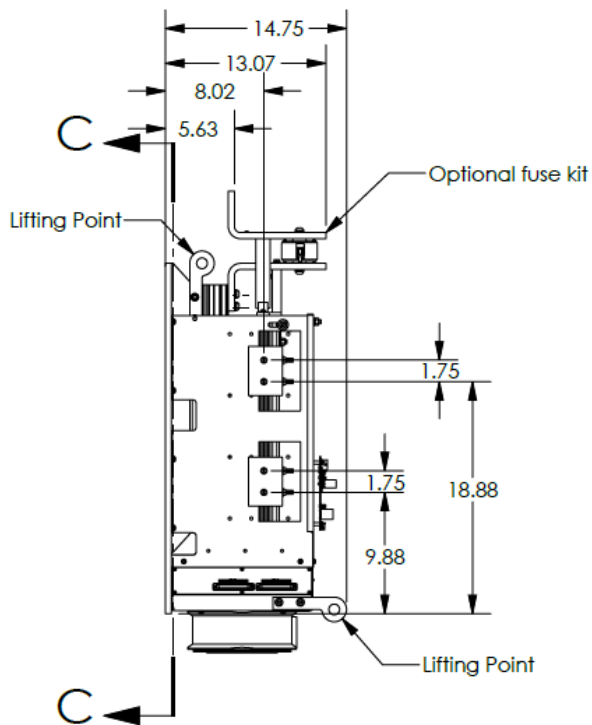
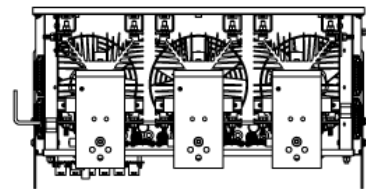
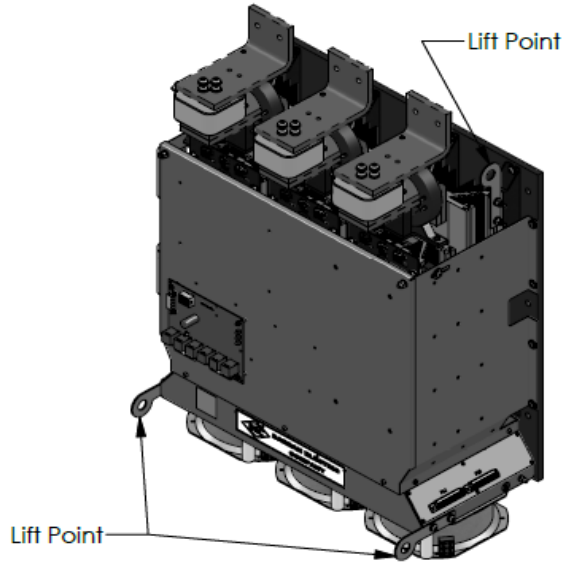
RC Snubber					
Symbol	Details	min	typ	max	Unit
R	1 Resistor in parallel with each Thyristor (50W)		50		VΩ
C	1 Capacitor in parallel with each Thyristor	0.15	0.22	0.47	μf

Thermostats					
Symbol	Details	min	typ	max	Unit
T _c	1 Thermostat per phase	80	90	95	°C
V _{tc}	Thermostat voltage	30*	115	240	V
I _{tc}	Thermostat current	1*	15	10	A
	Dielectric Strength for 1 min		1500		V

* DC Voltage and Current ratings



Darrah Electric Co.
 5914 Merrill Avenue
 Cleveland
 Ohio 44102
 Phone: 216-631-0912
 E-mail: sales@darrahelectric.com



*Shown with options



Darrah Electric Co.
 5914 Merrill Avenue
 Cleveland
 Ohio 44102
 Phone: 216-631-0912
 E-mail: sales@darrahelectric.com